

PROFLOW VEHICLE FLOW METER SYSTEM MULTIPOINT FLOW METERING

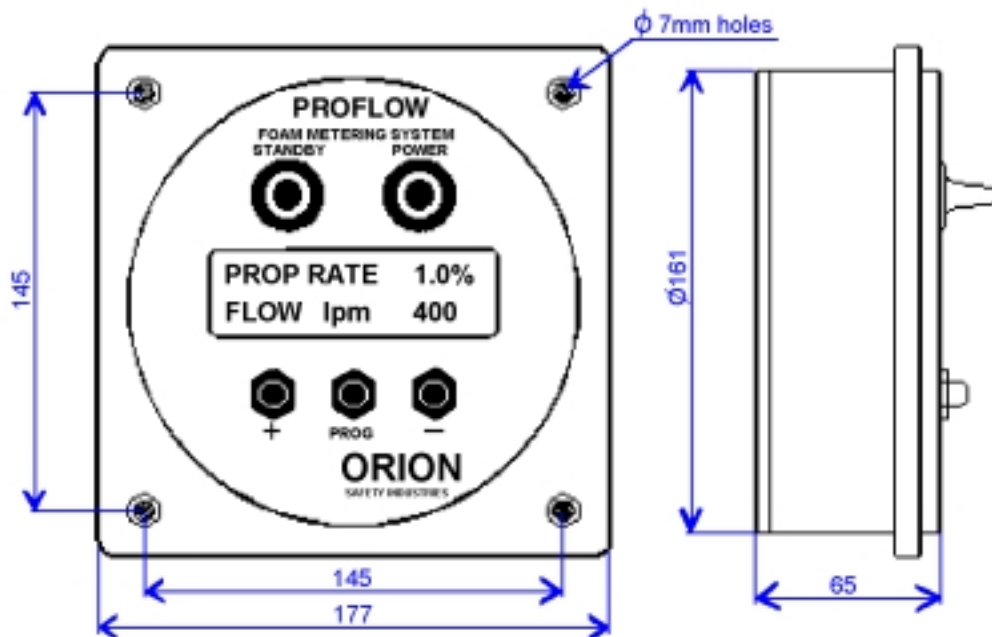
Description

PROFLOW is a multipoint flow meter system for fire vehicles. PROFLOW can monitor up to seven flow sensors simultaneously and sum the flow from all flow sensors. Each flow input is individually configurable for the pipe size and type of flow sensor used. Each flow sensor can be individually calibrated.

One pressure sensor can be substituted for one flow meter so that system water pressure can also be monitored.

The PROFLOW control panel features a two-line backlit LCD display that is highly visible in sunlight or at night. The top line of the display shows the totalled flow from all sensors. The second line displays the flow measured by one sensor or the pressure (if a pressure input is selected). The cursor keys can be used to select which sensor's data is displayed.

PROFLOW will operate at any voltage from 10 VDC to 30 VDC.



ORION SAFETY INDUSTRIES PTY LIMITED

A.C.N. 002 538 696

Tel +(61 2 9821 2244 29 SHEPHERD STREET LIVERPOOL NSW 2170 FAX +61 2 9821 2906
AUSTRALIA

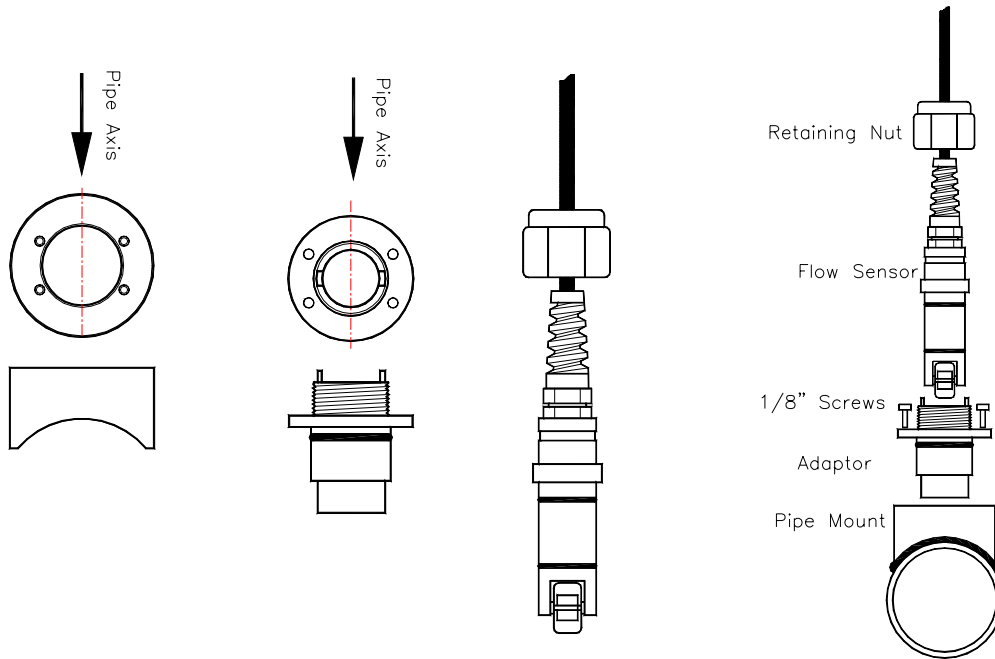
Visit our Website @ www.orionsafety.com.au

A wide range of flow units can be specified by the user including USGPM, litres per minute, litres per second etc.

PROFLOW systems can be interfaced with our TRIDENT and PROMIX metering systems.

The FTI-25 paddle wheel sensor has two major advantages. The sensor uses a stainless steel paddle wheel and the paddle wheel is not magnetised so that metal filings will not attach themselves to the sensor. These two features make the FTI-25 flow sensor both rugged and reliable.

The FTI-25 flow sensor can be supplied fitted to a tee in the 25-40mm sizes. Large pipes use a weld on boss.



SPECIFICATION

Maximum Flow:	>10,000 lpm
Power Supply	10 – 30 VDC
Maximum number of flow sensors	8 per control unit
Flow sensor type	Paddle Wheel
Pipe size range	All metal construction 25mm – 200mm

OPTIONS

- One pressure sensor can be substituted for one flow sensor.
- Interface with Orion Foam Metering Systems.
- Custom Programming.