

Foam Proportioning

Horizontal Bladder Tanks



Description

Orion bladder tanks are supplied with capacities ranging from 200 litres to 6,000 litres. We will also manufacture tanks to other sizes on request.

Orion Bladder Tanks are manufactured to AS1210 but other suitable standards will be accommodated if required. Each tank is epoxy coated internally with and finished with a two pack epoxy paint system externally before delivery. The maximum working pressure for the standard tanks is 1030 kPa (minimum) and the test pressure is 1590 kPa.

Tanks are fitted with two ball valves on the foam outlet. A sight glass is optional. Bladder tanks are made in both vertical and horizontal configurations depending on the requirements of the installation. For very large capacity tanks (over 6000 litres) the horizontal type is preferred.

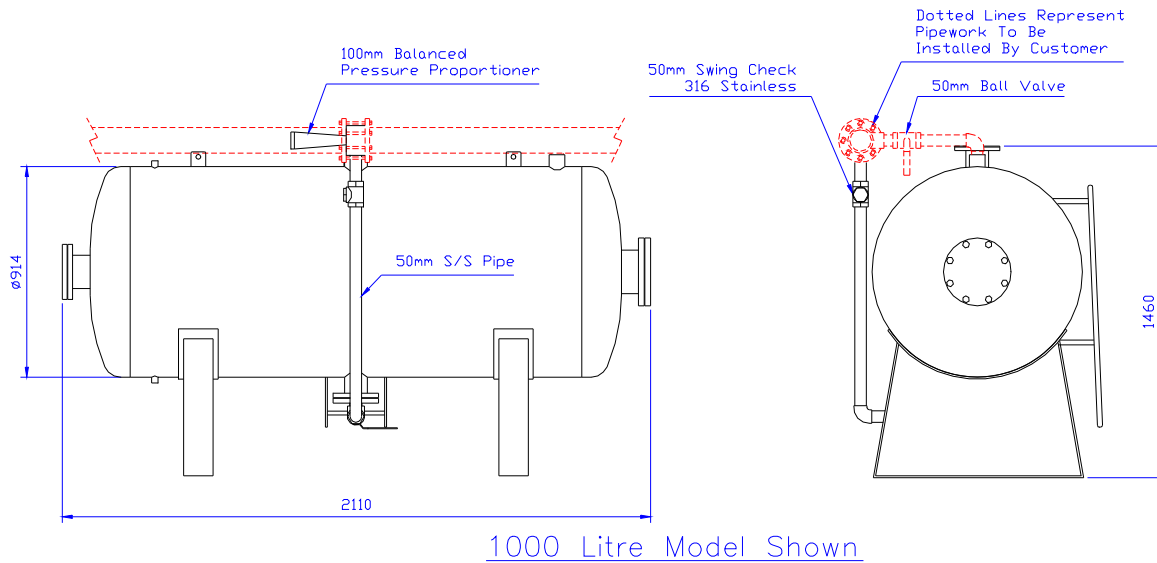
ORION SAFETY INDUSTRIES PTY LIMITED

A.C.N. 002 538 696

Tel +61 2 9821 2244

29 SHEPHERD STREET LIVERPOOL NSW 2170
AUSTRALIA

FAX +61 2 9821 2906



Specifications

Tank Size	Diameter mm	Water Inlet mm	Foam Outlet mm	Approx Weight Kg
200 Litre	508	40	32	140
400 Litre	610	40	32	235
500 Litre	610	40	40	300
600 Litre	762	50	40	350
700 Litre	762	50	40	400
800 Litre	762	50	50	455
900 Litre	914	50	50	490
1000 Litre	914	50	50	555
1200 Litre	914	50	50	660
1600 Litre	1067	50	50	790
2000 Litre	1067	50	50	1005
2500 Litre	1219	65	50	1136
3000 Litre	1219	80	65	1365
3500 Litre	1219	80	65	1520
4000 Litre	1524	80	65	1605
4500 Litre	1524	80	65	1805
5000 Litre	1524	80	80	1975
5500 Litre	1524	80	80	2165
6000 Litre	1829	80	80	2370

ORION SAFETY INDUSTRIES PTY LIMITED

A.C.N. 002 538 696

Tel +61 2 9821 2244

29 SHEPHERD STREET LIVERPOOL NSW 2170
AUSTRALIA

FAX +61 2 9821 2906