

Monitor Nozzles

Fog Nozzle Model 6000



SAFETY INDUSTRIES
Pty Limited



Description

The Model 6000 fog nozzle is a single flow fog nozzle that maintains essentially the same flow rate when adjusted from straight stream to wide fog. Nozzles can be supplied with customised flow rates. The data below is for one of many flow options.

Materials of Construction

Bumper: Natural Rubber
Body: Gunmetal LG2 (Bronze)
Stem: Gunmetal LG2 (Bronze)

Alternative Construction

Hard anodise aluminium.
Electroless nickel plating for best marine service.
Other standard flows: 1500 lpm, 1800 lpm, 2000 lpm.
Custom flows are also available.

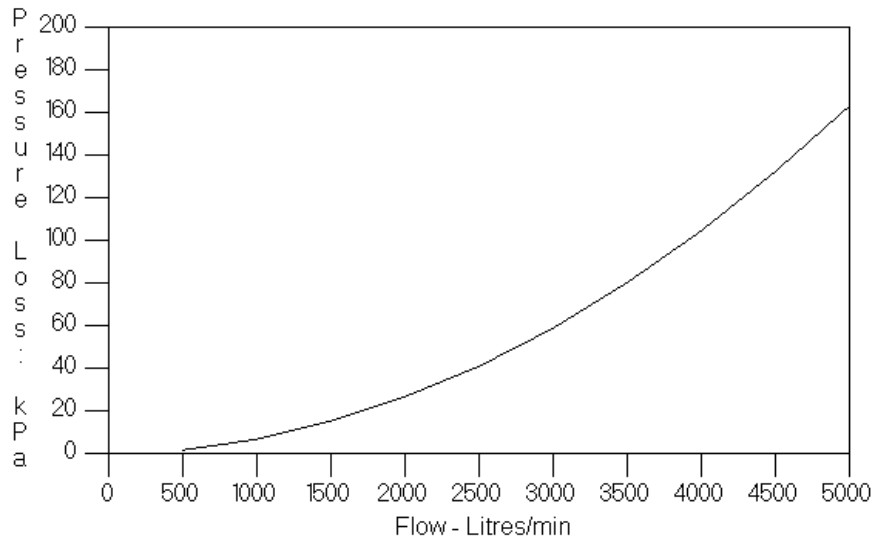
ORION SAFETY INDUSTRIES PTY LIMITED

A.C.N. 002 538 696

Tel (61) 2 9821 2244 29 SHEPHERD STREET LIVERPOOL NSW 2170 FAX (61) 2 9821 2906
AUSTRALIA

Performance Data

This data is for the furthest water drop in approximately still air conditions and with the nozzle mounted on a monitor aimed 20° -25° above horizontal. This is the standard method of rating fog nozzles, however, even a slight cross or head wind will reduce the throw by about 5 meters and an allowance for this should be made when designing systems.



Operating Pressures:	500 kPa - 1,500 kPa
Pressure Test Pressure:	2,500 kPa
Flow Range:	up to 4,500 lpm
Elevation Adjustment:	-45° to +90°
Horizontal Sweep:	Adjustable from 0° to 180°
Oscillating Speed:	Adjustable
Oscillating Unit Water Consumption:	4 litres per minute (Max.)
Inlet Flange:	80mm Table E or 3" ANSI #150 as standard
Outlet Connection:	65mm BSP Male
Weight:	30 kg

Operation

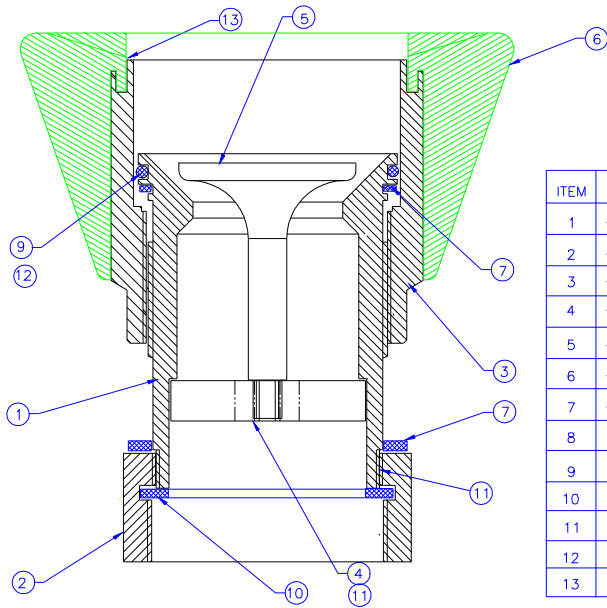
In normal operation the monitor is operated automatically with no operator present. For this mode of operation the monitor is set up with the nozzle aimed and locked in the desired position (elevation) and the monitor limits are set to the desired sweep range. The nozzle has a fixed elevation setting and spray pattern.

To manually operate the monitor, move the "AUTO/MANUAL" valve handle to the MANUAL position. The monitor will stop sweeping (if in operation) and may be manually moved horizontally. The elevation adjustment for the monitor is made by undoing the vertical swivel lock knob and using the handle provided (optional) to adjust the elevation setting. The monitor may be re-locked in a new position or continuously moved. If fitted with an adjustable nozzle the spray pattern may be adjusted also.

ORION SAFETY INDUSTRIES PTY LIMITED

A.C.N. 002 538 696

Tel (61) 2 9821 2244 29 SHEPHERD STREET LIVERPOOL NSW 2170 FAX (61) 2 9821 2906
AUSTRALIA



ITEM	Part #	Description	QTY	Material
1	10085/1	Body	1	LG2
2	10085/2	Coupling	1	LG2
3	10085/3	Shaper	1	LG2
4	10142/3	Retainer	1	LG2
5	10085/5,6,7,8	Stem (options)	1	LG2
6	10085/11	Rubber Bumper	1	Rubber
7	10085/12	Rubber Washer $\varnothing 81 \times \varnothing 73 \times 3$	2	Nitrile
8				
9		O-Ring BS - 151	1	Nitrile
10		65mm Coupling Washer	1	Nitrile
11		Lockite 262	A/R	
12		Molykote 111 O-Ring Grease	A/R	
13		Lockite 454	A/R	

350 USGPM Stem

		STRAIGHT STREAM	NARROW FOG	WIDE FOG
PRESSURE	FLOW (lpm)	THROW (M)	THROW (M)	THROW (M)
600 kpa	1250	47	28	14
700 kpa	1350	52	29	16
800 kpa	1440	55	30	18
900 kpa	1530	58	31	19

500 USGPM Stem

		STRAIGHT STREAM	NARROW FOG	WIDE FOG
PRESSURE	FLOW (lpm)	THROW (M)	THROW (M)	THROW (M)
450 kpa	1520	44	20	12
600 kpa	1760	49	28	14
700 kpa	1900	55	31	18
800 kpa	2030	57	32	20
900 kpa	2150	60	33	21

ORION SAFETY INDUSTRIES PTY LIMITED

A.C.N. 002 538 696

Tel (61) 2 9821 2244 29 SHEPHERD STREET LIVERPOOL NSW 2170 FAX (61) 2 9821 2906 AUSTRALIA