

Monitors

65mm Manual Sentinel Monitor



SAFETY INDUSTRIES
Pty Limited



Description

The Sentinel 65mm manual monitor is an stainless steel monitor with friction swivel locks. The monitor can be used with Orion Model 4000, 6000 and 8000 fog nozzles and Orion Foam Lord model FLD2-65 and FLD-80 nozzles. It is recommended that aspirating foam nozzles not be used with these monitors.

Standard finish is unpainted. The adjustable tee handle is an option.

Specifications

Maximum Flow:	3000 lpm
Horizontal Rotation:	360°
Vertical Movement:	150°
Inlet Connection	Flange 65 'E'
Outlet Connection	65mm BSP M

ORION SAFETY INDUSTRIES PTY LIMITED

A.C.N. 002 538 696

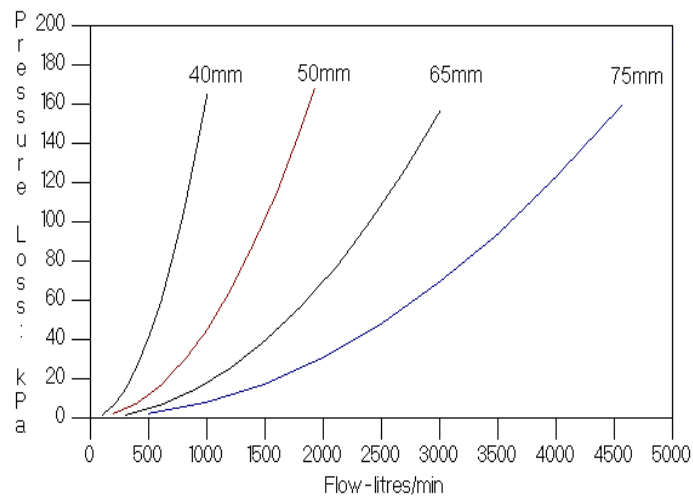
Tel (61) 2 9821 2244 29 SHEPHERD STREET LIVERPOOL NSW 2170 FAX (61) 2 9821 2906
AUSTRALIA

Materials of Construction

Waterway:	316 Stainless Steel
Swivels:	316 Stainless Steel
Inlet Flange:	316 Stainless Steel
Balls:	Delrin
Grease Nipples:	316 Stainless Steel
Locking Knob:	Aluminium
Handle:	316 Stainless Steel
Fasteners:	316 Stainless Steel

Performance Data

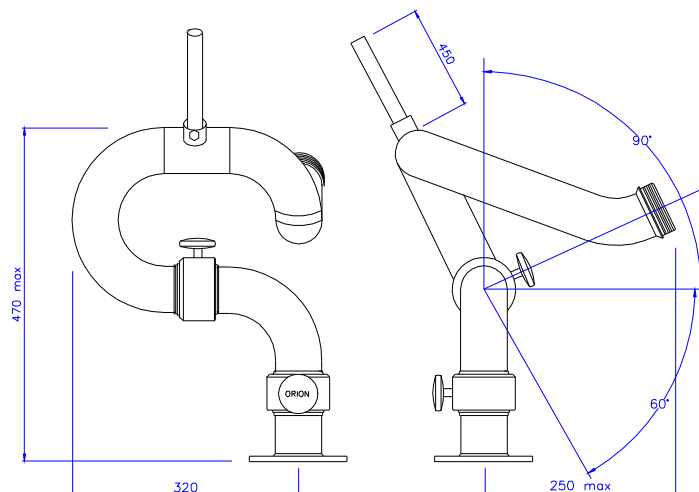
Friction Loss Curve



Options

Outlet Connection: 65mm BSP Male as Standard, 2.5" NHT optional
Inlet Flange: 65mm Table E as standard. Other sizes and flange types are available

Adjustable tee handle



ORION SAFETY INDUSTRIES PTY LIMITED

A.C.N. 002 538 696

Tel (61) 2 9821 2244 29 SHEPHERD STREET LIVERPOOL NSW 2170 FAX (61) 2 9821 2906
AUSTRALIA