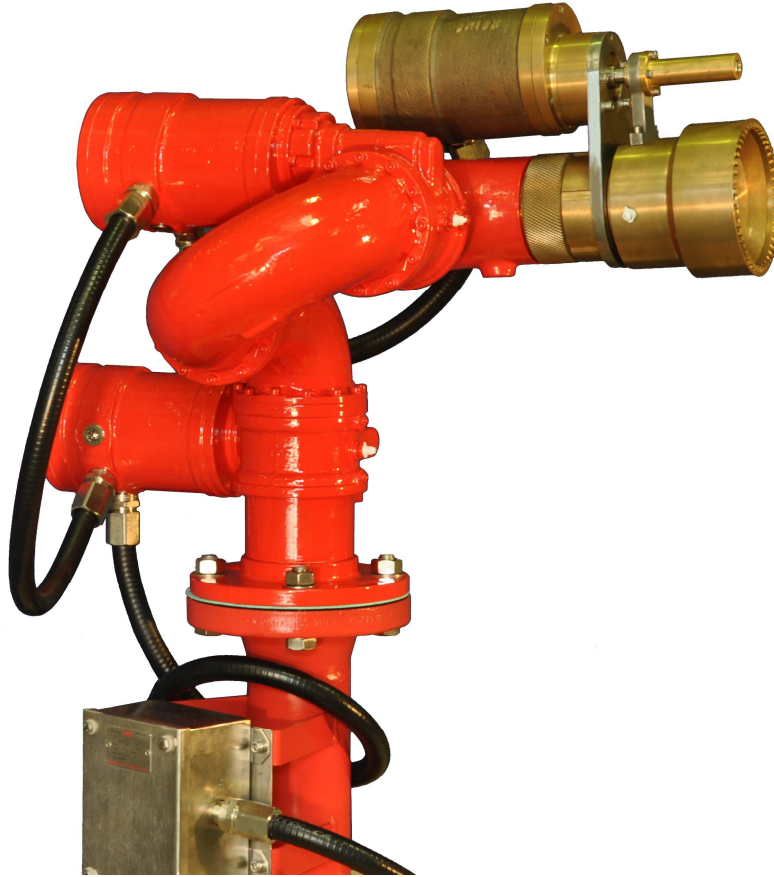


# Monitors

## Warden 3173EX Hazardous Area Monitors



SAFETY INDUSTRIES  
Pty Limited



### Description

The Warden 3173EX is an 80mm remote controlled monitor made from cast bronze (LG2, C83600). The monitor is power by 24 VDC and the motors are housed in brass/bronze enclosures. Hazardous area certification to IECEx for Class 1, Zone 1 areas, IP66.

### Specifications

Maximum Recommended Flow:	4,500 lpm
Horizontal Rotation:	350°
Vertical Movement:	-85° + 90°
Inlet Connection:	Flanged
Outlet Connection:	65mm BSP Male
Weight (approx):	39 kg

---

ORION SAFETY INDUSTRIES PTY LIMITED

A.C.N. 002 538 696

Tel (61) 2 9821 2244 29 SHEPHERD STREET LIVERPOOL NSW 2170 FAX (61) 2 9821 2906  
AUSTRALIA

## Design Features

To ensure maximum monitor availability for many years this monitor incorporates some key design features:

- Fully enclosed swivels
- Metal balls for swivel races
- All external parts are bronze, brass or 316 stainless steel. No external aluminium or steel components are used, thus minimising any possible corrosion problems.

## Materials of Construction

Waterway:	Bronze Alloy
Swivels:	Bronze Alloy
Inlet Flange:	Bronze Alloy
Balls:	Brass
Grease Nipples:	316 Stainless Steel
Fasteners:	316 Stainless Steel
Motors Housing:	Brass/Bronze

## Operation

The monitor motors include all necessary control electronics. The monitors are directly controlled by the joystick controller. As an option the monitor can be controlled over an RS-485 network using the Modbus protocol. The nozzle motor is controlled from the elevation motor controller.

The monitor travel limits are field adjustable within the ranges specified in the table below.

## Connections

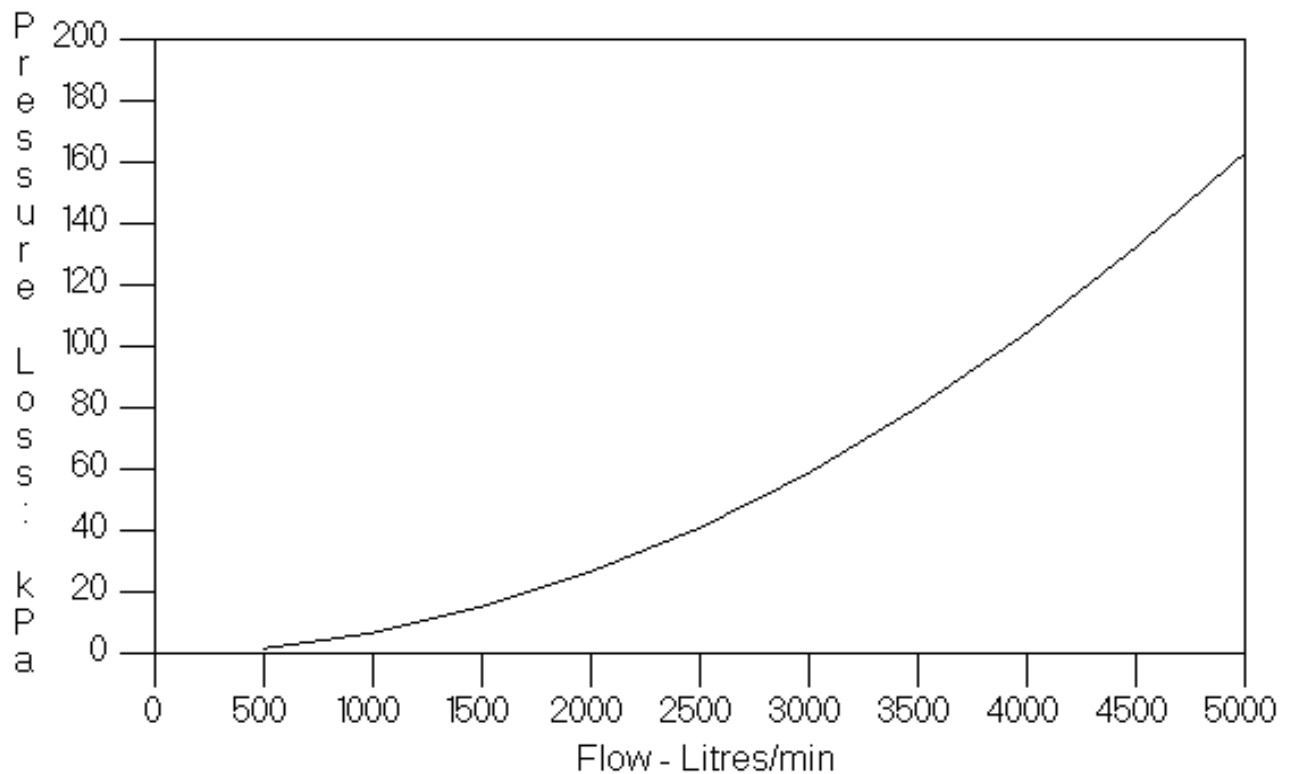
**Inlet:** 80mm or 100mm flat-face flange bronze flanges, multi-standard or ASME Class 150 raised face stainless steel flange.  
or 80/100mm ASME Class 150 composite flanges with galvanised steel backing flange.

**Outlet:** 65mm BSP

Multi-standard flanges can be used for Table E and ASME Class 150 connections.

## Performance Data

*Friction Loss Curve*



## Part Numbers

Description	Part Number
Warden 3173EX with 80mm FF Flange, hard wired	16723
Warden 3173EX with 100mm FF Flange, hard wired	17865
Warden 3173EX with 80mm FF Flange, networked	13978
Warden 3173EX with 100mm FF Flange, networked	14017

## Options

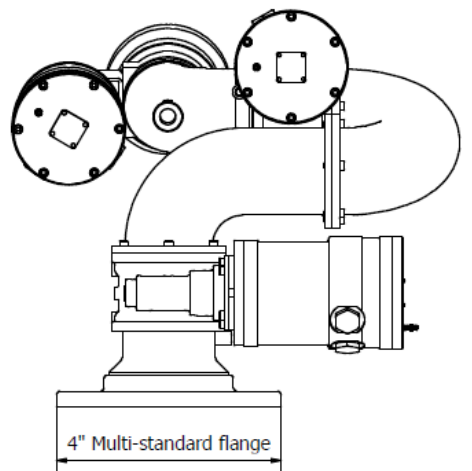
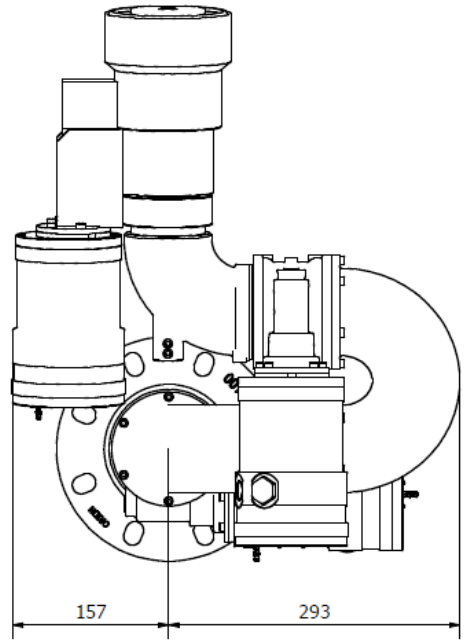
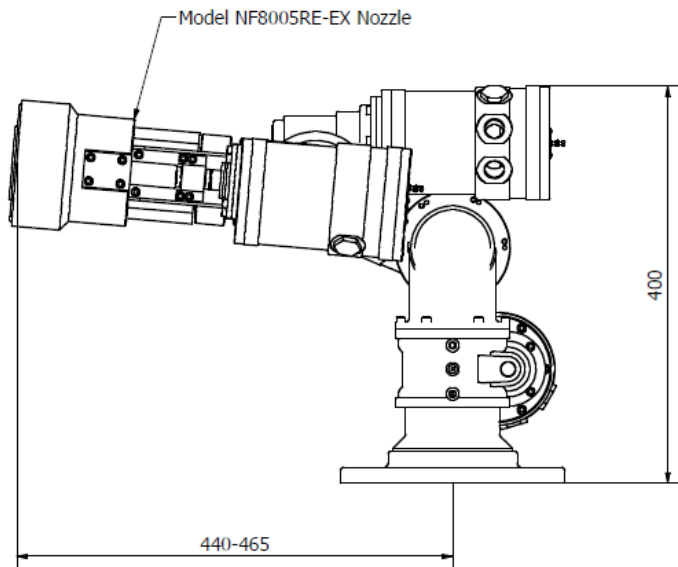
These monitors can also be manufactured in a range of alternative bronze alloys including nickel aluminium bronze.

---

ORION SAFETY INDUSTRIES PTY LIMITED

A.C.N. 002 538 696

Tel (61) 2 9821 2244 29 SHEPHERD STREET LIVERPOOL NSW 2170 FAX (61) 2 9821 2906  
AUSTRALIA



---

## ORION SAFETY INDUSTRIES PTY LIMITED

A.C.N. 002 538 696

Tel (61) 2 9821 2244 29 SHEPHERD STREET LIVERPOOL NSW 2170 FAX (61) 2 9821 2906  
AUSTRALIA