

Monitors

80mm Manual Warden Monitor Model 8035



SAFETY INDUSTRIES
Pty Limited



Description

The Warden Model 8035 80mm manual monitor is a cast bronze monitor with friction swivel locks. The monitor can be used with Orion Model 4000, 6000 and 8000 fog nozzles and Orion Foam Lord model FLD2-65 and FLD2-80 nozzles. This monitor has an excellent swivel lock and can also be used with FF-Series aspirated foam nozzles up to 4000 lpm capacity. Swivel units are fully enclosed for maximum service life.

Specifications

Maximum Flow:	4,500 lpm
Horizontal Rotation:	360°
Vertical Movement:	150°
Inlet Connection	Flanged 80mm Table'E'
Outlet Connection	65mm BSP Male
Weight (no nozzle)	24 kg

Materials of Construction

Waterway:	Bronze Alloy	Grease Nipples:	316 Stainless Steel
Swivels:	Bronze Alloy	Locking Knob:	Aluminium
Inlet Flange:	Bronze Alloy	Handle:	316 Stainless Steel
Balls:	Delrin	Fasteners:	316 Stainless Steel

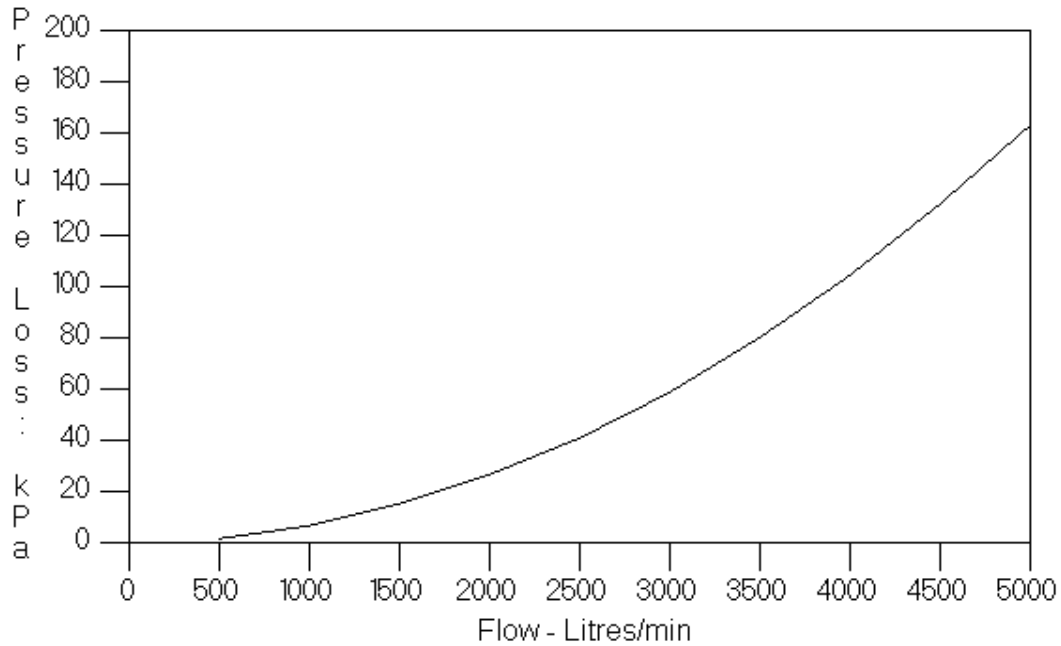
ORION SAFETY INDUSTRIES PTY LIMITED

A.C.N. 002 538 696

Tel (61) 2 9821 2244 29 SHEPHERD STREET LIVERPOOL NSW 2170 FAX (61) 2 9821 2906
AUSTRALIA

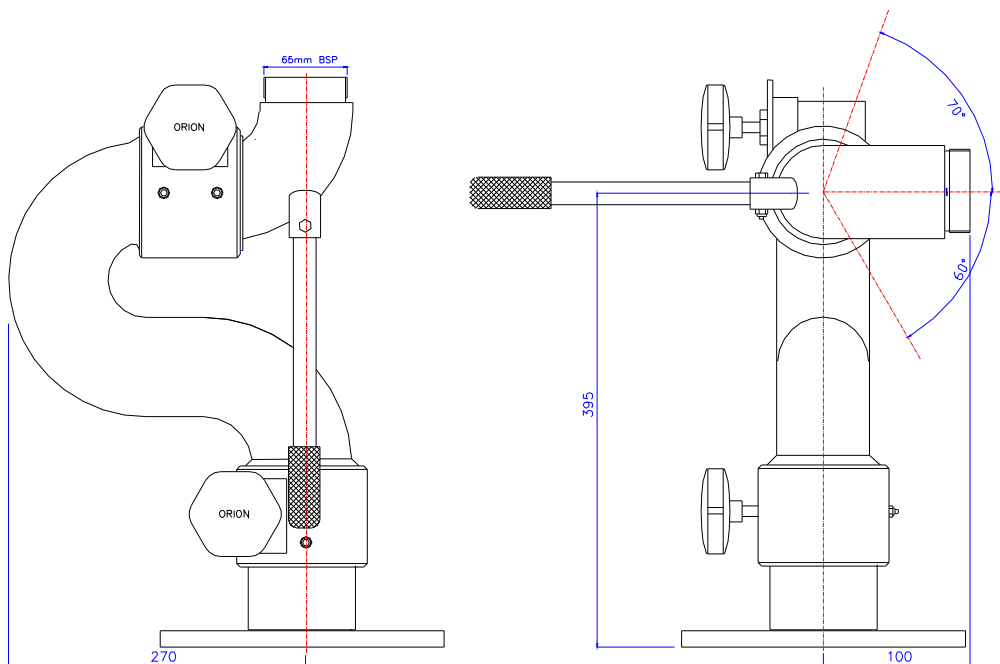
Performance Data

Friction Loss Curve



Options

Outlet Connection: 65mm BSP Male, 2.5" NHT optional (volume order).
Inlet Flange: 3" or 4" ANSI #150 flat face, 100mm Table E, other 3" or 4" ANSI #150 raised face in 316 stainless steel. Flanges are available upon request.



ORION SAFETY INDUSTRIES PTY LIMITED

A.C.N. 002 538 696

Tel (61) 2 9821 2244 29 SHEPHERD STREET LIVERPOOL NSW 2170 FAX (61) 2 9821 2906 AUSTRALIA

Warden 8035 Models

Part Number	Description
Enamel Paint	
12469	Warden 8035 80mm Table E inlet
11767	Warden 8035 100mm Table E Flange
12986	Warden 8035 80mm ASA150 RF Flange
12891	Warden 8035 100mm ASA150 RF Flange
Marine Paint	
15221	Warden 8035 80mm ASA150 RF Flange, LG2 material
14628	Warden 8035 100mm ASA150 RF Flange, LG2 material
15890	Warden 8035 80mm ASA150 RF Flange, aluminium bronze
14120	Warden 8035 100mm ASA150 RF Flange, aluminium bronze

ORION SAFETY INDUSTRIES PTY LIMITED

A.C.N. 002 538 696

Tel (61) 2 9821 2244 29 SHEPHERD STREET LIVERPOOL NSW 2170 FAX (61) 2 9821 2906
AUSTRALIA