

# Monitors

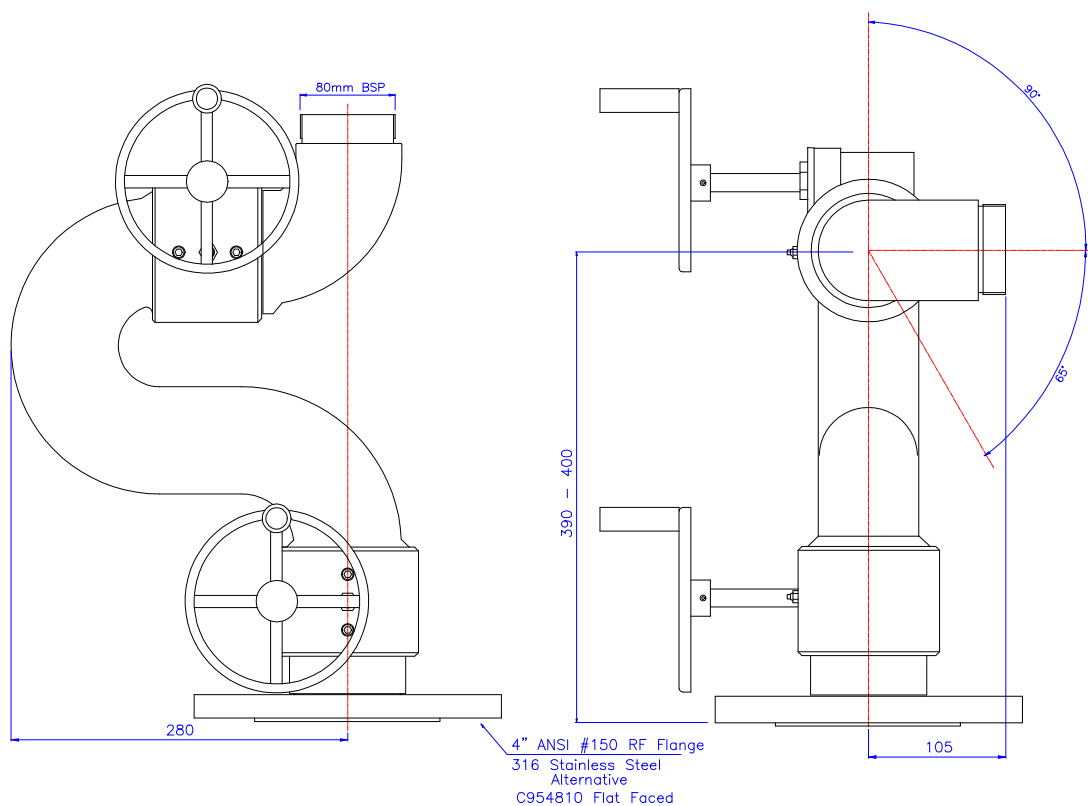
## 80mm Manual Warden Monitor Model 8095



SAFETY INDUSTRIES  
Pty Limited

### Description

The Warden Model 8095 80mm manual monitor is a cast bronze (LG2) monitor with hand wheel control for elevation and horizontal movement. The monitor can be used with Orion Model 4000, 6000 and 8000 fog nozzles and Orion Foam Lord model FLD2-65, FLD2-80 and FF-Series aspirated nozzles. The worm drives for the swivels are fully enclosed for maximum service life and are self locking.



### Specifications

Maximum Flow:	4,500 lpm
Horizontal Rotation:	360°
Vertical Movement:	150°
Inlet Connection	Flanged 3" ANSI #150
Outlet Connection	65mm BSP Male

ORION SAFETY INDUSTRIES PTY LIMITED

A.C.N. 002 538 696

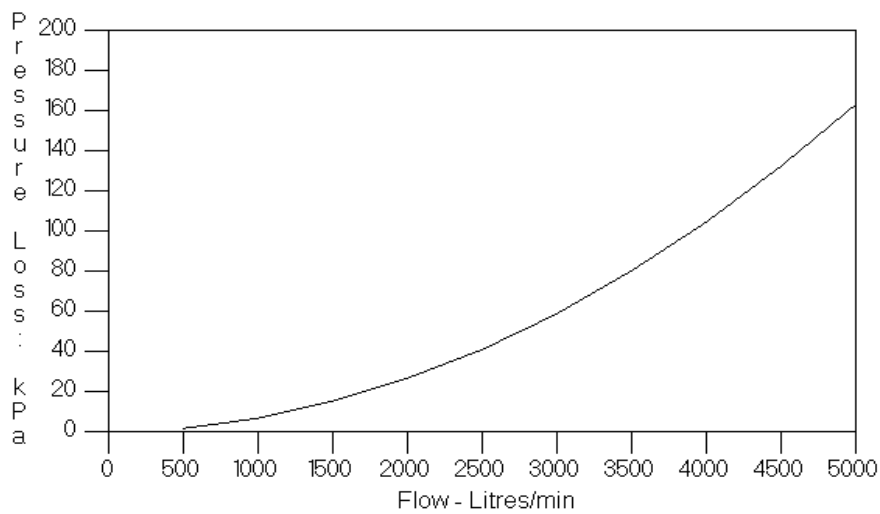
Tel (61) 2 9821 2244 29 SHEPHERD STREET LIVERPOOL NSW 2170 FAX (61) 2 9821 2906  
AUSTRALIA

## Materials of Construction

Waterway:	C83600
Swivels:	C83600
Inlet Flange:	Bronze or 316 Stainless Steel
Balls:	Delrin
Grease Nipples:	316 Stainless Steel
Handwheels:	Bronze alloy
Drive Worm:	316 Stainless Steel
Fasteners:	316 Stainless Steel

## Performance Data

### Friction Loss Curve



## Options

Outlet Connection:	65mm BSP Male as Standard, 2.5" NHT optional.
Inlet Flange:	3" ANSI #150 as standard. Other sizes and flange types are available. Bronze flanges must be flat faced. Stainless steel flanges are used if raised face flanges are required.

---

## ORION SAFETY INDUSTRIES PTY LIMITED

A.C.N. 002 538 696

Tel (61) 2 9821 2244 29 SHEPHERD STREET LIVERPOOL NSW 2170 FAX (61) 2 9821 2906  
AUSTRALIA