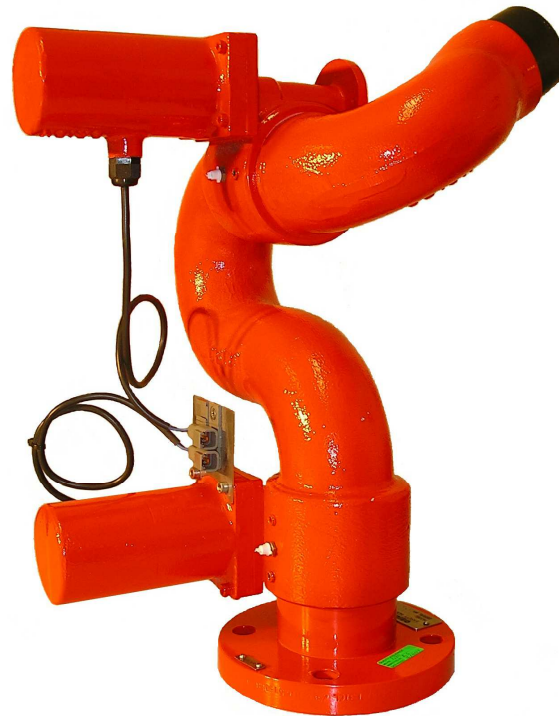


Monitors

80mm Electric Remote Controlled Warden Monitor – Model 8195



SAFETY INDUSTRIES
Pty Limited



Description

The Warden Model 8195 monitor is a cast bronze monitor with DC electric motor driven swivels for remote control. Swivel units are fully enclosed for long service life. Control motors are fitted with protective covers. The monitor can be used with Orion Model 6000RE and 8000RE fog nozzles, Orion Foam Lord model FLD2-65RE and FLD2-80RE nozzles and with FF-Series aspirated foam nozzles.

The Warden Model 8195 is available with either 24 VDC or 12 VDC motors. Each monitor is supplied with a Relay card that controls monitor and nozzle movements. The Relay card requires some simple site wire connections.

Specifications

| | |
|--------------------------------|----------------------------------|
| Maximum Recommended Flow: | 4,500 lpm |
| Horizontal Rotation: | 330° |
| Vertical Movement: | 150° |
| Inlet Connection | Flanged 80mm Table E (Flat Face) |
| Outlet Connection | 65mm BSP Male |
| Motor Current (each) – normal | 1.5 Amp |
| Motor Current (each) - maximum | 2 Amp |

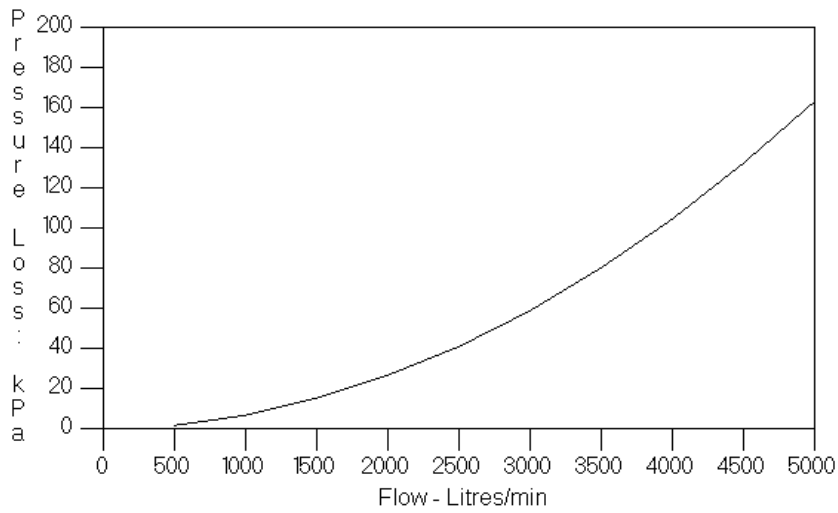
ORION SAFETY INDUSTRIES PTY LIMITED

A.C.N. 002 538 696

Tel (61) 2 9821 2244 29 SHEPHERD STREET LIVERPOOL NSW 2170 FAX (61) 2 9821 2906
AUSTRALIA

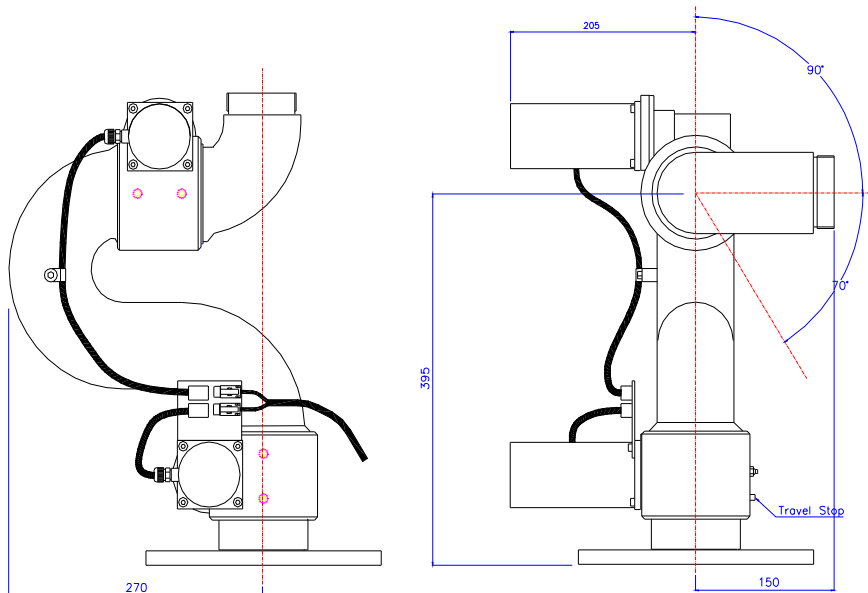
Performance Data

Friction Loss Curve



Materials of Construction

- Waterway: Bronze Alloy
- Swivels: Bronze Alloy
- Inlet Flange: Bronze Alloy
- Balls: Delrin
- Grease Nipples: 316 Stainless Steel
- Fasteners: 316 Stainless Steel
- Motors Housing: Aluminium Alloy



ORION SAFETY INDUSTRIES PTY LIMITED

A.C.N. 002 538 696

Tel (61) 2 9821 2244 29 SHEPHERD STREET LIVERPOOL NSW 2170 FAX (61) 2 9821 2906 AUSTRALIA

Options

Outlet Connection: 65mm BSP Male as Standard, 2.5" NHT (volume order).
Inlet Flange: 3" or 4" ANSI #150 raised face, 100mm Table E, other Flanges are available upon request.
Controls: Panel mount joystick units, Handheld pendant controllers, Manual handwheel override.
Corrosion Protection: Marine paint system.

Warden 8195 Models

| Part Number | Description |
|-------------|--|
| | Enamel Paint |
| 12752 | Warden 8195 24V 80mm Table E inlet |
| 14673 | Warden 8195 24V 100mm Table E inlet |
| 15979 | Warden 8195 24V 80mm ANSI inlet |
| 13227 | Warden 8195 24V 100mm ANSI inlet |
| | |
| 13982 | Warden 8195 24V 80mm Table E inlet with junction box |
| | |
| 13853 | Warden 8195 12V 80mm Table E inlet |
| 14586 | Warden 8195 12V 100mm Table E inlet |
| 15658 | Warden 8195 12V 80mm ANSI inlet |
| 12665 | Warden 8195 12V 100mm ANSI inlet |

ORION SAFETY INDUSTRIES PTY LIMITED

A.C.N. 002 538 696

Tel (61) 2 9821 2244 29 SHEPHERD STREET LIVERPOOL NSW 2170 FAX (61) 2 9821 2906
AUSTRALIA