

Monitors

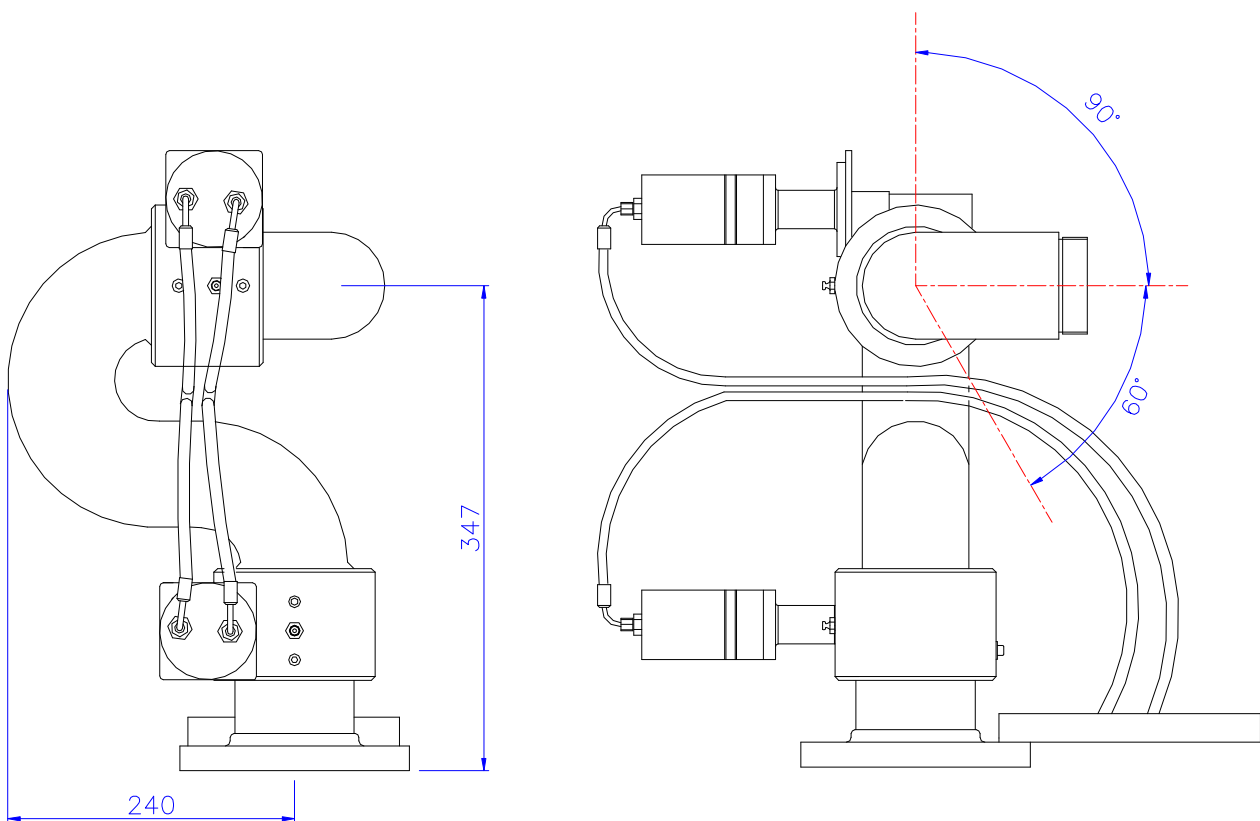
80mm Hydraulic Remote Controlled Warden Monitor – Model 8295



SAFETY INDUSTRIES
Pty Limited

Description

The Warden Model 8295 monitor is an 80mm (3") cast bronze monitor with hydraulic driven swivels for remote control. The monitor can be used with Orion Model 6000RH and 8000RH fog nozzles and Orion Foam Lord model FLD2-65RH and FLD2-80RH nozzles and with FF-Series aspirated foam nozzles. Swivel units are fully enclosed for maximum service life.



Specifications

| | |
|----------------------|----------------------|
| Maximum Flow: | 4,500 lpm |
| Horizontal Rotation: | 360° Continuous |
| Vertical Movement: | 150° |
| Inlet Connection | Flanged 80mm Table E |
| Outlet Connection | 65mm BSP Male |

ORION SAFETY INDUSTRIES PTY LIMITED

A.C.N. 002 538 696

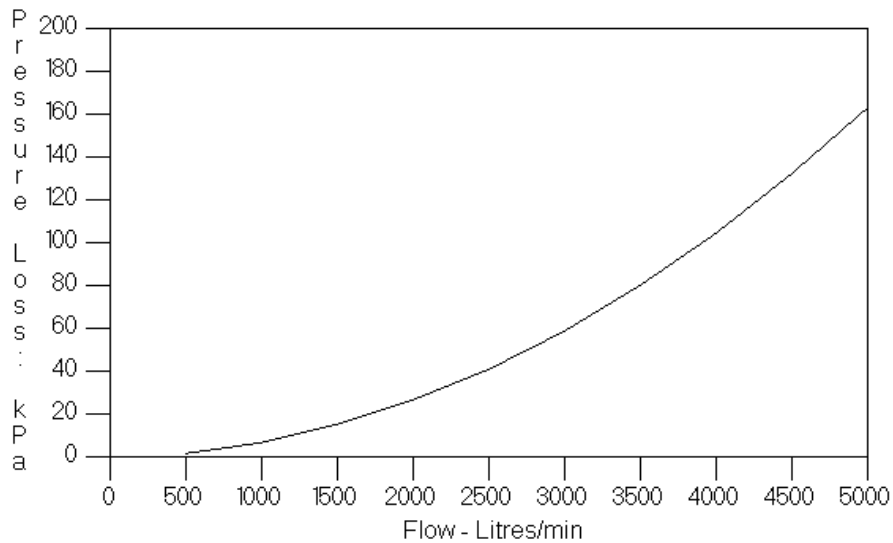
Tel (61) 2 9821 2244 29 SHEPHERD STREET LIVERPOOL NSW 2170 FAX (61) 2 9821 2906
AUSTRALIA

Materials of Construction

| | |
|-------------------|---------------------|
| Waterway: | Bronze Alloy |
| Swivels: | Bronze Alloy |
| Inlet Flange: | Bronze Alloy |
| Balls: | Delrin |
| Grease Nipples: | 316 Stainless Steel |
| Fasteners: | 316 Stainless Steel |
| Hydraulic Motors: | Steel |

Performance Data

Friction Loss Curve



Options

| | |
|--------------------|---|
| Outlet Connection: | 65mm BSP Male as Standard, 2.5" NHT optional. |
| Inlet Connections | 3" or 4" ANSI # 150 flange, 4" Table E |
| Materials: | The monitor can be manufactured from aluminium bronze for extreme marine service. |
| Control kits: | Hydraulic power units, valve kits and control panels are available for indoor, outdoor and hazardous area applications. |

ORION SAFETY INDUSTRIES PTY LIMITED

A.C.N. 002 538 696

Tel (61) 2 9821 2244 29 SHEPHERD STREET LIVERPOOL NSW 2170 FAX (61) 2 9821 2906
AUSTRALIA