

Monitors

Warden 3033 Manual Monitor



SAFETY INDUSTRIES
Pty Limited



Description

The Warden 8033 is an 80mm manual monitor made from cast bronze (LG2, C83600). The monitor is lever operated and uses a highly effective swivel locking design.

Specifications

Maximum Recommended Flow:	4,500 lpm
Horizontal Rotation:	360°
Vertical Movement:	-60° + 60°
Inlet Connection:	Flanged
Outlet Connection:	65mm BSP Male
Weight (approx):	25 kg

Design Features

To ensure maximum monitor availability for many years this monitor incorporates some key design features:

- Fully enclosed swivels
- Metal balls for swivel races
- All external parts are bronze, brass or stainless steel. No external aluminium or steel components are used, thus minimising any possible corrosion problems.

ORION SAFETY INDUSTRIES PTY LIMITED

A.C.N. 002 538 696

Tel (61) 2 9821 2244 29 SHEPHERD STREET LIVERPOOL NSW 2170 FAX (61) 2 9821 2906
AUSTRALIA

Materials of Construction

Waterway:	Bronze Alloy
Swivels:	Bronze Alloy
Inlet Flange:	Bronze Alloy
Balls:	Brass
Grease Nipples:	316 Stainless Steel
Fasteners:	316 Stainless Steel

Operation

The monitor swivel locks are loosened allowing the monitor to be directed in the desired direction. The swivel locks can be re-engaged to leave the monitor in one position.

Connections

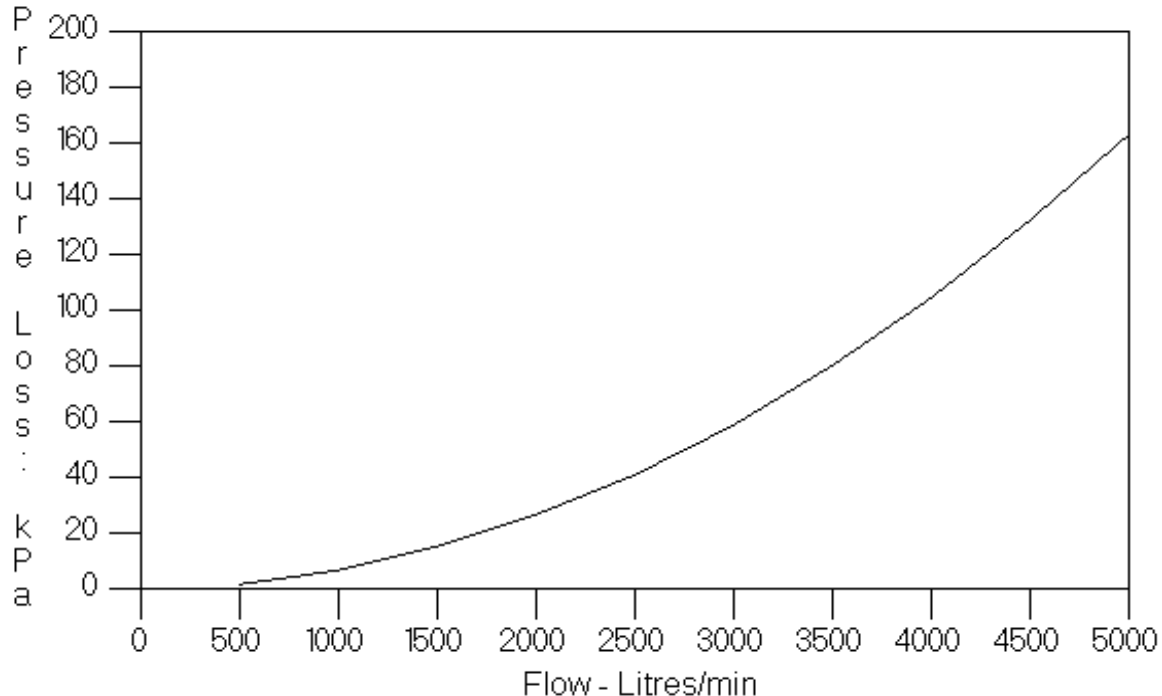
Inlet: 80mm or 100mm flat-face flange bronze flanges, multi-standard or ASME Class 150 raised face stainless steel flange.

Outlet: 65mm BSP

Multi-standard flanges can be used for Table E, DIN and ASME Class 150 connections.

Performance Data

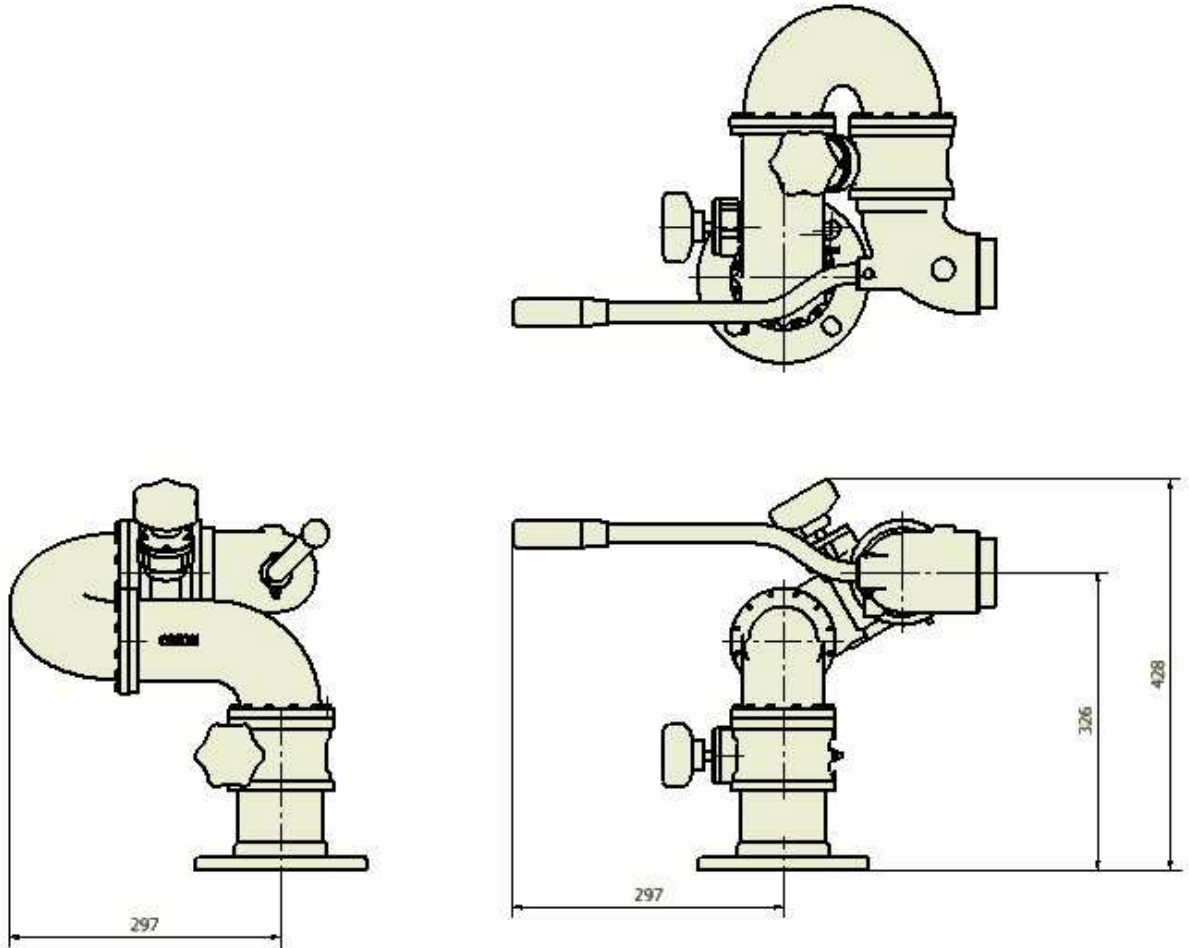
Friction Loss Curve



ORION SAFETY INDUSTRIES PTY LIMITED

A.C.N. 002 538 696

Tel (61) 2 9821 2244 29 SHEPHERD STREET LIVERPOOL NSW 2170 FAX (61) 2 9821 2906
AUSTRALIA



Part Numbers

Description	Part Number	
	Powder Coated	Marine Paint
Warden 3033 with 80mm FF multi-standard flange	12004	12115
Warden 3033 with 100mm FF multi-standard flange	16203	14992
Warden 3033 with 80mm RF 316SS flange	15386	17262
Warden 3033 with 100mm RF 316SS flange	16336	12954

Options

These monitors can also be manufactured in a range of alternative bronze alloys including nickel aluminium bronze.

ORION SAFETY INDUSTRIES PTY LIMITED

A.C.N. 002 538 696

Tel (61) 2 9821 2244 29 SHEPHERD STREET LIVERPOOL NSW 2170 FAX (61) 2 9821 2906
AUSTRALIA